

the Hospitality Desk for a prize. They are listing the winners near the hospitality desk alongside the list of tournament sponsors.

When is it open? The snack bar, outside the “teams” end of the playing area, is open from 7:30am — 2pm and again from 7 — 9 pm daily. The evening bar, midway down the corridor, is open from 6pm to closing every day. (Don’t hold me to this on Sunday though.) The Hospitality desk is open for door prize claims from 11:45am to 12:45 pm, and again daily from 6pm to 7pm. Entry-sellers begin their work about 45 minutes before each session.

It’s locally produced, simple to learn and use, long-lasting, inexpensive, and it will help you and your partner bid to the best contract more often. Invented by **Granger Evans** and recommended by **Dee Berry**, the **Evans Power Bridge System** is a unique tool for improving your partnership, with thousands of combinations of hands to test yourself on. Mr. Evans will be demonstrating his invention in the area near the PDI bookselling area tomorrow at noon hour. PDI has ample supplies of this ingenious gadget. Come and have a look!

Last-minute changes to the flyer schedule:

- ◆ **Daily Morning 199er games added!** (8:45 am, Tuesday thru Saturday)! This makes three games a day for under-200 players!
- ◆ **Sunday 199er Swiss Teams** is actually two separate events, not one long event. Play one or both: 9:00am and 1:30pm.
- ◆ **StratiFlighted Events:** the top strat of the second flight is 1000-1500, not 1000-5000 as printed.

Tips For Tops Mini-Lecture Series: Every day, a new talk geared to improving your bridge game, at 6:30 in the main playing area.

Yesterday’s speaker was **Bruce Ferguson**, a professional player from Idaho, whose topic is **Crucial Card Play Combinations**.

Thursday: **Dudley Brown**, former ACBL President and current District 19 Secretary, whose topic is **Don’t Abuse Your Conventions!**

Friday: One or more carefully-chosen members of our superb directing staff will give the latest installment in the ongoing series called **Director Please!**

Oops department: two errors in yesterday’s issue. I got my Dees crossed and mistakenly referred to Dee Berry as Dee Steil on page 20. And my analysis of the 6NT contract was off the mark somewhat; declarer can succeed after a heart lead; it takes a diamond lead to defeat 6NT, as **Daniel Korbel** pointed out, proving why he and I are separated by at least two or more brackets in any knockout (actually it could be as many as five or six, I reckon!) and proving the Daily Bulletin editor’s rule that analyzing a difficult hand is impossible when you’re on deadline. (JACK was correct when I rechecked and hit the right keys.)

More extras! Friday evening after the session we’ll have a visit by Elvis himself, continuing the popular tradition. Come out and be merry, get on the dance floor and forget about the contract you blew or the convention you forgot. A good time for everyone!

Highway 97 delays: there may be some for commuters travelling through a 7km stretch north of Summerland this week. The scheduled daily closures are 10:00-10:30am, 1:00-2:00pm, with more frequent nightly closures. But safety issues may force longer closures, so be aware that you may need extra time to drive on that route.

DINO Tournament Gazette released! The bright peach colour is easy to see, and inside you’ll find tournament information for most of District 19’s sectionals and regionals, plus reports by District 19 President **Tom Hansen** and District 19 National Director **Don Mamula**.

Bulletins Online! Each day, we’ll post Bulletin issues at this address on the Internet:

www.matchpointer.com/db.htm

The online versions in pdf format will be the same as the paper copies printed, except that they will include full-colour photos, plus instructions on how to download, adjust, and order photos taken by McBruce at this tournament, from London Drugs Photo Station.

Just barely enough space to list the members of the **District Goodwill Committee** as promised: Kathy Adachi, Sue Agramonte, Delores Arnold, Diane Ayukawa, Joan Ball, Shirley Billingsly, Mary Ruth Blustein, Maury Blustein, Suzanne Boruta, Bob Bosley, Jo Ann Brown, Jerry Burnes, Mac Campbell, Kathy Centoni, Eileen Currier, Janet Dar-

Okanagan Notes

Thursday edition

Lightning does strike twice!

In yesterday’s issue I wrote about an odd story that appeared on the front page of a Penticton newspaper last month while I was here. After the Daily Bulletin came out yesterday, I found myself in the same restaurant where I read the story about the ‘rescued’ stuffed animal last month, reading the very same newspaper (the *Penticton Western News Daily*).

Yesterday’s front page headline was: **Sudoku puts Australian drug trial on hold**. An Australian drug trial lasting more than three months and costing taxpayers nearly a million dollars was aborted after a number of jurors were found to have spent up to half the time in the jury box ... playing Sudoku. Key quote: “the judge was alerted after some jurors were observed writing their ‘notes’ vertically, rather than horizontally.”

So I think I have ample justification to stop with the Sudoku puzzles and try some others for a while!

Welcome to Penticton! It’s Choice Pairs day, where we may have as many as five or six sessions in the afternoon and evening pairs game. Also: between sessions at the Days Inn (directions in the lobby of the hotel, about three blocks walk from the Convention Centre), the Intermediate and Newcomer and Goodwill Committee Reception. 199ers and DINO Goodwill Committee members are invited to come and meet your local district representatives and other bridge people.

Entries are sold at the Directors’ table in the main room for all morning events and all team events, with pair game entries being sold outside by the snack bar. The uncarpeted half of the room is set up for teams (tables at an angle), and the carpeted area is set up for pairs events (with perpendicular tables).

No need to sign in at the Hospitality Desk, but check back often for news about what’s happening. There’s a great selection of menus for nearby restaurants, plus information on “extra-curricular” activities (winery tours, golf, and other options), plus the usual information on other tournaments, which we encourage you to take home to your local clubs.

Door prizes are being handed out every session to random players in the form of tickets that you redeem at

(continued on page 22)

Today’s Contents

Thursday, June 12, 2008

2, 23	Brain Warmups!
3	Okanagan Notes
4-5	Wednesday Open Pairs
6	Wednesday Senior Pairs
7	Wednesday Evening Swiss
8-9	Wed. Thu. Morning Compact KOs
10	Tuesday-Wednesday Knockouts
11-14	Wednesday-Thursday Knockouts
15	Morning Side Game, Series Leaders
16-17	Weekday Series Side Games, and Morning KO Consolation Rosters
18-19	Wednesday 199er Games
21	Photo Gallery

Masterpoints

Leaders thru Wednesday

(completed events only)

(ties broken “randomly” by ACBLScore)

1	Jonathan Steinberg, Toronto ON	48.80
2	Gerry Marshall, Calgary AB	48.80
3	Daniel Korbel, Waterloo ON	48.80
4	Bernie Lambert, Acme AB.....	48.80
5	Mike Dorn Wiss, Nanaimo BC.....	47.05
6	Earl Knipfel, Moose Jaw SK	47.05
7	Rhonda Foster, New Westminster BC ..	41.42
8	Peter Jones, Edmonton AB.....	41.42
9	Jim Galand, Victoria BC.....	41.42
10	Gerry McCully, New Westminster BC ...	41.42
11	Ellis Feigenbaum, Petah Tikva Israel....	39.15
12	Bruce Reeve, Raleigh NC.....	39.15
13	Steve Scott, Phoenix AZ.....	34.16
14	Suzette Wynn, Phoenix AZ	34.16
15	Steve Gross, Westlake Vlg CA.....	34.16
16	Ellen Anten, Encino CA.....	34.16
17	Kim Corbin, Scottsdale AZ	28.99
18	Chris Moll, Lavonia GA	28.99
19	William Ge, Vancouver BC	28.20
20	Patricia Hurlbert, Santa Barbara CA ..	28.20
21	Long Xie, Burnaby BC	28.20
22	Rock Shi Yan, Richmond BC.....	28.20
23	Danny Lee, Vancouver BC.....	28.20
Top 64 thru Wednesday..... page 20		
199ers top 24..... page 18		

Attendance Report

1283 tables so far

2007 total thru Wednesday: 1366 tables.

Bad weather affecting turnout?

Wednesday Open Pairs

District 19 Officials score up an official win!

Steady play at just under 60% all day was enough to take the Wednesday Open Pairs for **Jennifer Ballantyne** of Vancouver BC and **Dudley Brown** of Grandview WA. They won by slightly more than half a board, and the other high overalls were won in very close races. **Patti McCallum** and **Reidun Decker** of Seattle took the win in the under-1500 strat with a similar matched set of strong sessions. **William Wilson** of Qualicum Beach BC and **Berry Gubbins** of Parksville won the under-500 strat with 55% in a strong field.

Score	MP	A	B	C	Wednesday Open Pairs	(41, 42 tables)
59.25%	24.15	1			Jennifer Ballantyne, Vancouver BC; Dudley Brown, Grandview WA	
58.05%	18.11	2			Ron Borg - Sandra Borg, Kelowna BC	
57.70%	13.58	3			John Maki, Bothell WA; Balusu Rao, Redmond WA	
57.57%	10.19	4			Paul Sorensen, Berwyn AB; Charles Lamb, Red Deer AB	
57.55%	8.05	5			Ron Smith, Victoria BC; Harvey Piercy, Courtenay BC	
57.52%	8.43	6	1		Patti McCallum - Reidun Decker, Seattle WA	
57.09%	6.04	7			Chris Penner, Nanaimo BC; John Demeulemeester, Burnaby BC	
57.01%	5.37	8			Raymond Ward, Portland OR; Marilyn Breeze, Bellevue WA	
56.58%	6.32	9	2		Don Forsyth - Donald Lust, Osoyoos BC	
56.36%	4.39	10			Sheila Sache, Delta BC; Peter Morse, North Vancouver BC	
56.34%	5.60	11			Linda Stix - Robert Moore, Seattle WA	
56.13%	4.74	12	3		Michael Mullendore, Ellicott City MD; Leonard Ripplinger, Prince Albert SK	
56.09%	3.45	13			Pat Levy - Lew Levy, Houston TX	
55.98%	3.22	14			Roger Clough - Rebecca Clough, Culver City CA	
55.76%	5.72	15			George Slemmons - J Slemmons, Bellevue WA	
55.44%	3.64	16	4	1	William Wilson, Qualicum Beach BC; Berry Gubbins, Parksville BC	
54.59%	5.60		5		Frances Gould - T Gould, Surrey BC	
54.40%	2.41		6		Janis Parker - Nick Parker, Delta BC	
49.76%	2.73			2	Robert Henry - Linda Henry, Kelowna BC	
49.71%	2.05			3	Jason Larrivee - Kusum Thakre, Regina SK	
45.57%	1.54			4	Richard Maskoff, Chicago IL; Toby White, Seattle WA	

Score	MP	A	B	C	Wednesday Afternoon North-South Leaders (Sections A, B, C)
66.07%	5.60	1	1		Frances Gould - T Gould, Surrey BC
59.72%	3.92	2			Jennifer Ballantyne, Vancouver BC; Dudley Brown, Grandview WA
56.96%	2.80	3			Mary Fines - Hobert Liang, North Vancouver BC
56.86%	2.04	4	2		Patti McCallum - Reidun Decker, Seattle WA
56.63%	1.49	5			Roger Clough - Rebecca Clough, Culver City CA
56.48%	1.46	6	3	1	William Wilson, Qualicum Beach BC; Berry Gubbins, Parksville BC
56.10%	1.14	7			Nada Sundermeyer - Clay Sundermeyer, Bellevue WA
55.90%	1.02	8			Ron Borg - Sandra Borg, Kelowna BC
55.87%	1.02	9	4		Don Forsyth - Donald Lust, Osoyoos BC
55.52%	0.86	10			Jessie Brunswig, Kirkland WA; Lynn Hays, Veradale WA

Score	MP	A	B	C	Wednesday Afternoon North-South Leaders (continued)
53.49%	0.80	11			Don Keith, New Westminster BC; Evelyn Hodge, Burnaby BC
53.01%	0.75	12			Rose Miller - Keith Miller, North Vancouver BC
52.68%	0.70	13			John Maki, Bothell WA; Balusu Rao, Redmond WA
52.48%	0.66	14			Koba Ter Neuzen, Victoria BC; Leszek Baldys, Maple Ridge BC
52.30%	0.63	15	5		Gordon Delf, Kelowna BC; Pauline Higgins, Quesnel BC
52.25%	0.85	16	6	2	Jason Larrivee - Kusum Thakre, Regina SK
51.75%	0.42	7			Dick Pagel, Olalla WA; Marvin Novak, Bremerton WA
51.44%	0.36	8			Janis Parker - Nick Parker, Delta BC



Vineyard Views

The Tournament Photo Gallery



Three steps stand between you and having your picture in **Bridge By The Beach**:

- 1) Win something (**anything!**)
- 2) Find me and my camera
- 3) Smile

Any overall win in any event, or any strat or bracket within an event is worthy of a picture. We also want to take pictures of people who have become Life Masters.

The editor can be found (usually) between 10:30 and 12:30 (am or pm) in the event office at the northeast corner of the building (across from the farthest reaches of the pairs end of the playing area).

If you fulfill #1, #3 shouldn't be a problem...



Our first new Life Master of the tournament is **Joan Adie** of Regina SK, who went over after winning the semifinal in the Tuesday-Wednesday knockouts. Congratulations!



Maureen and Neil McAllister of Vancouver BC won the under-500 flight of the Wednesday Senior Pairs, making Neil a Life Master! Congratulations!



And another new Life Master: **Doreen Jensen** of Chilliwack BC, whose quarterfinal win in the Wednesday-Thursday knockouts put her over. Congratulations!



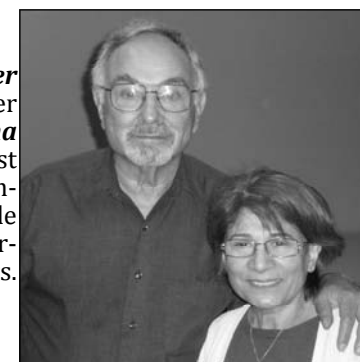
Bracket Two Winners in the Tuesday-Wednesday knockouts: **Jamie Newman - Ron Jauch**, Nevada City CA; **Kathy Hansen - Mike Hansen**, Vancouver WA.



Bracket Seven winners in the Tuesday-Wednesday knockouts: **Paul Johansen - Tish Schweizer - Donna Wanless**, Kamloops BC; **Denny Gibson**, Maple Ridge BC.



Andrew Mackey and Noah W. J. Stewart of Vancouver BC, winners of the Wednesday morning 199er Pairs.



Bertram Schoner of North Vancouver BC and **Homa Boustani** of West Vancouver BC, winners of the 30-table Wednesday afternoon 199er Pairs.

Want a copy of a Daily Bulletin photo? Check out the information on how to download them and order long-lasting prints from London Drugs Photo Station. Details are on the back page.

2008 PENTICTON REGIONAL Masterpoint leaders thru Wednesday (completed events only) (DISCLAIMER: unofficial results)	
1	Jonathan Steinberg, Toronto ON 48.80
2	Gerry Marshall, Calgary AB 48.80
3	Daniel Korbel, Waterloo ON 48.80
4	Bernie Lambert, Acme AB 48.80
5	Mike Dorn Wiss, Nanaimo BC 47.05
6	Earl Knipfel, Moose Jaw SK 47.05
7	Rhonda Foster, New Westminster BC 41.42
8	Peter Jones, Edmonton AB 41.42
9	Jim Galand, Victoria BC 41.42
10	Gerry McCully, New Westminster BC 41.42
11	Ellis Feigenbaum, Petah Tikva 493 39.15
12	Bruce Reeve, Raleigh NC 39.15
13	Steve Scott, Phoenix AZ 34.16
14	Suzette Wynn, Phoenix AZ 34.16
15	Steve Gross, Westlake Vlg CA 34.16
16	Ellen Anten, Encino CA 34.16
17	Kim Corbin, Scottsdale AZ 28.99
18	Chris Moll, Lavonia GA 28.99
19	William Ge, Vancouver BC 28.20
20	Patricia Hurlbert, Santa Barbara CA 28.20
21	Long Xie, Burnaby BC 28.20
22	Rock Shi Yan, Richmond BC 28.20
23	Danny Lee, Vancouver BC 28.20
24	Roger Clough, Culver City CA 26.88
25	Rebecca Clough, Culver City CA 26.88
26	Ron Jauch, Nevada City CA 26.81
27	Jamie Newman, Nevada City CA 26.81
28	Mike Hansen, Vancouver WA 26.81
29	Kathy Hansen, Vancouver WA 26.81
30	Mary Olsky, Madison WI 26.39
31	Mark Olsky, Madison WI 26.39
32	Dudley Brown, Grandview WA 24.15
33	Jennifer Ballantyne, Vancouver BC 24.15
34	Barry Pritchard, Edmonton AB 23.66
35	Faith Pritchard, Edmonton AB 23.66
36	Pat Dunn, Bellevue WA 23.40
37	Polly Dunn, Bellevue WA 23.40
38	Elsie Johnson, Calgary AB 23.14
39	Hash Mohamed, Calgary AB 22.74
40	Abdul Fakhir, Calgary AB 22.74
41	Tina Gokturk, Calgary AB 22.74
42	Cam Doner, Richmond BC 22.57
43	Jackie Evans, Albuquerque NM 22.57
44	Mike Yuen, Vancouver BC 21.90
45	Bob Todd, Winnipeg MB 21.90
46	Barry Bringsli, Nanaimo BC 21.55
47	Gray McMullin, Vancouver BC 21.55
48	Hamish Bennett, Menlo Park CA 21.07
49	Greg House, S San Fran CA 21.07
50	Leslie Pettie, Edmonton AB 21.00
51	Karen Long, Edmonton AB 21.00
52	Diane Ayukawa, Delta BC 20.14
53	William Rottmayer, Spokane WA 20.02
54	Paul Graham, Calgary AB 20.02
55	Francesca Walton, Calgary AB 20.02
56	David Rottmayer, Spokane WA 20.02
57	Doug Hawrelak, Edmonton AB 19.95
58	Tom Nault, Calgary AB 19.95
59	Samantha Nystrom, Burnaby BC 19.74
60	Gordon Estrada, Surrey BC 19.74
61	Larry Pocock, New Westminster BC 19.74
62	Zoran Peca, Vancouver BC 19.74
63	Bob Esser, Madison WI 19.53
64	Glenna Shannahan, Fitchburg WI 19.53
65	Maureen Barnes, Kelowna BC 18.88
66	Anne Pilon, Kelowna BC 18.88
67	David Willmott, Folsom CA 18.65
68	Nancy Cook, Edmonton AB 18.65
69	Sandra Borg, Kelowna BC 18.11
70	Ron Borg, Kelowna BC 18.11
71	Donald Sache, Delta BC 17.86
72	Helen Dunham, Qualicum Beach BC 17.83
73	Bonnie Christopherson, Nanoose Bay BC 17.83
74	Karen Levy, Calgary AB 17.56
75	Nancy Klym, Calgary AB 17.56
76	Stephen Hosch, Olympia WA 17.25
77	Mihail Vitchev, Victoria BC 17.11
78	John Brodrick, Victoria BC 17.11
79	Mike Dickie, Victoria BC 17.11
80	Gerry Marchant, Calgary AB 17.02
81	Ruby Premdas, Calgary AB 17.02
82	Dennis Duryea, Bellevue WA 16.60
83	Frank Alexander, Kirkland WA 16.60
84	Leo Glaser, Winfield BC 16.57
85	David Corn, Spokane WA 16.57
86	Don McCarthy, Saskatoon SK 16.36
87	Gloria Baker, Kelowna BC 16.29
88	Doreen Ransom, Furry Creek BC 16.11
89	Colin Ransom, Furry Creek BC 16.11
90	Curley Anderson, Saskatoon SK 16.05
91	Andy Anderson, Saskatoon SK 16.05
92	Dave Schouweiler, Bismarck ND 16.05
93	Dennis Nelson, Saskatoon SK 16.05
94	Margaret Pearce, Penticton BC 15.91
95	Harry Sadd, Victoria BC 15.83
96	Charles Lamb, Red Deer AB 15.41
97	Balusu Rao, Redmond WA 15.31
98	Bill Wilson, Qualicum Beach BC 15.21
99	Berry Gubbins, Parksville BC 15.21
100	Jean Groome, Delta BC 14.96
101	Linda Stix, Seattle WA 14.46
102	Bob Moore, Seattle WA 14.46
103	Anne Stang, Calgary AB 14.46
104	Willa Dumka, Calgary AB 14.46
105	Don Dumka, Calgary AB 14.46
106	Beth Massie, Calgary AB 14.46
107	Harvey Bush, Klamath Falls OR 14.12
108	Bobby Thompson, Klamath Falls OR 14.12
109	John Campbell, Rncho Pals Vrd CA 13.92
110	Bernard Hoeschen, Vancouver BC 13.92
111	Gordon Wright, Vancouver BC 13.92
112	Jackson Steffes, Pacific Palisad CA 13.92
113	Howard Cheng, Lethbridge AB 13.62
114	Bruce Storey, Lethbridge AB 13.62
115	John Maki, Bothell WA 13.58
116	Dee Berry, Arlington WA 13.55
117	Ross Bates, Castlegar BC 13.35
118	Gloria Duncan, Kelowna BC 13.06
119	Elaine Sorensen, Lake Country BC 13.06
120	Shirley Purcell, Kelowna BC 13.06
121	Jane Wilkinson, Kelowna BC 13.06
122	Marjorie Behrman, Qualicum Beach BC 12.27
123	Carolann Murray, Shaunavon SK 12.27
124	Alice Thomas, Langley BC 12.26
125	Paul Sorensen, Berwyn AB 12.20
126	Dot Dore, Castlegar BC 12.16
127	Gary Thomas, Langley BC 11.91
128	John Van Keuren, Richland WA 11.88
129	Tom Edwards, Richland WA 11.88
130	Garry Skoropada, Maple Ridge BC 11.73
131	Craig Zastera, Woodinville WA 11.68
132	Howard Epley, Kent WA 11.68
133	Karen Epley, Kent WA 11.68
134	Rose Bolson, Lake Forest Par WA 11.68
135	Lew Levy, Houston TX 11.61
136	Tai Eng, Burnaby BC 11.43
137	John Demeulemeester, Burnaby BC 11.39
138	Gerald Purcell, Kelowna BC 11.29
139	Don MacMath, Kelowna BC 11.29
140	Bonnie Purcell, Kelowna BC 11.29
141	Lynda MacMath, Kelowna BC 11.29
142	Paul Glick, Phoenix AZ 11.10
143	Maureen Olafson, Campbell River BC 11.08
144	Jack Bradshaw, Courtenay BC 11.08
145	Carole Bradshaw, Courtenay BC 11.08
146	Phil Sanford, Campbell River BC 11.08
147	Brian Turner, Calgary AB 10.75
148	Dianna Wreford, Calgary AB 10.75
149	Evelyn Iwasa, Calgary AB 10.75
150	Art Iwasa, Calgary AB 10.75
151	Sal Vogrig, Powell River BC 10.72
152	Tom Thomsen, Courtenay BC 10.72
153	Pat Levy, Houston TX 10.58
154	Ronald Hemeon, Saskatoon SK 10.36
155	Lil Hemeon, Saskatoon SK 10.36
156	Patrick Murphy, Calgary AB 10.25
157	Merle Hickey, Calgary AB 10.25
158	Geraldine Zerr, Saskatoon SK 10.25
159	John Zerr, Saskatoon SK 10.25
160	Patti Hartley, Kirkland WA 10.17
161	Tom Jepson, Kirkland WA 10.17
162	Marvin Novak, Bremerton WA 10.14
163	Dick Pagel, Olalla WA 10.14
164	Pauline Kay, Vancouver BC 10.10
165	Fiamma Davidson, Vancouver BC 10.10
166	Jill Wilson, Vancouver BC 10.10
167	Joan Campbell, Richmond BC 10.10
168	Clay Sundermeyer, Bellevue WA 9.94
169	Nada Sundermeyer, Bellevue WA 9.94
170	John Coone, Vernon BC 9.89
171	Pat Strand, 9 Mile Falls WA 9.74
172	Sharon Whitesel, Sandpoint ID 9.74
173	Reidun Decker, Seattle WA 9.73
174	Hal Sandler, Bainbridge Is WA 9.68
175	Kay Enos, Bremerton WA 9.68

(ACBLScore breaks ties at 'random')

1,009 players have won a total of 5,795.18 masterpoints at the 2008 Penticton Regional thru Wednesday.

Wednesday Afternoon				
Score	MP	A	B	C
62.80%	5.60	1		
58.68%	3.92	2		
58.63%	2.80	3		
57.67%	1.96	4		
56.60%	1.49	5		
56.28%	1.29	6		
55.57%	2.72	7	1	
55.36%	1.02	8		
55.29%	1.90	9	2	
55.26%	0.86	10		
54.61%	0.80	11		
61.26%	5.72	1		
59.74%	4.00	2		
58.81%	2.86	3	1	
58.33%	2.00	4		
57.47%	1.52	5		
57.44%	1.31	6		
57.36%	1.97	7	2	
56.96%	1.41	8	3	
56.91%	0.95	9		
56.45%	0.88	10		
55.39%	0.82	11		
54.36%	0.76	12		
53.92%	0.98	13	4	
53.19%	0.68	14		
52.86%	0.64	15		
52.81%	0.61	16		
52.59%	0.58	17		
52.07%	0.56	5		
51.96%	1.29	6	1	
51.14%	0.40	7		
48.38%	0.35	8		
47.16%	0.90	2		
46.23%	0.65	3		

Wednesday Evening

North-South Leaders (Sections A, B, C)

George Slemmons - J Slemmons, Bellevue WA
Ron Smith, Victoria BC; Harvey Piercy, Courtenay BC
Janice Byers - Jillian Reid, Kelowna BC
Marge Neate, West Vancouver BC; Kathy Bye, Burnaby BC
Paul Sorensen, Berwyn AB; Charles Lamb, Red Deer AB
Helen Montgomery, Richmond BC; Sandra Robson, New Westminster BC
Janis Parker - Nick Parker, Delta BC
Michael Mullendore, Ellicott City MD; Leonard Ripplinger, Prince Albert SK
Pat Levy - Lew Levy, Houston TX
Sheila Sache, Delta BC; Peter Morse, North Vancouver BC
Raymond Ward, Portland OR; Marilyn Breeze, Bellevue WA
Koba Ter Neuzen, Victoria BC; Leszek Baldys, Maple Ridge BC
Ocki Krogfoss - Jim Rupp Jr, Thousand Oaks CA
Vicky Smith, Victoria BC; Pete Marinus, Courtenay BC
Ken Scholes - Sandra Jenkins, Bellevue WA
Ina Andersen, Surrey BC; Jean Groome, Delta BC
Trudy Hurdle - John Hurdle, Richmond BC
Al Freeze - Donna Freeze, Surrey BC
Robert Henry - Linda Henry, Kelowna BC
Donald Stanger, Bainbridge Is WA; Don McCluskey, Bremerton WA
Christa Mead, New Westminster BC; Alice Thomas, Langley BC
Jason Larrivee - Kusum Thakre, Regina SK
Fraser Anderson - Eileen Anderson, Grand Forks BC

Wednesday Afternoon				
Score	MP	A	B	C
53.90%	1.36	12	3	
53.87%	0.70	13		
52.68%	0.65	14/15		
52.68%	0.95	14/15/4		
52.63%	0.60	16		
51.72%	0.54	5		
51.29%	0.45	6		
49.62%	0.39	7		
49.52%	0.34	8		
47.62%	1.14	1		
47.55%	0.80	2		
63.80%	5.72	1	1	
62.72%	4.00	2		
60.22%	2.86	3	2	
60.20%	2.00	4		
58.78%	1.52	5		
58.18%	1.50	6	3	
57.29%	1.16	7	4	
56.35%	1.05	8		
55.49%	0.95	9		
55.34%	0.88	10		
55.09%	0.82	11		
54.40%	1.14	12	5	1
54.35%	0.72	13		
53.77%	0.80	14	6	2
53.72%	0.64	15		
53.72%	0.61	16		
53.69%	0.58	17		
52.18%	0.43	7		
51.60%	0.38	8		
51.52%	0.33	9		

Wednesday Evening

East-West Leaders (Sections A, B, C)

Margaret Thiel - David Thiel, Trail BC
John Maki, Bothell WA; Balusu Rao, Redmond WA
Jane Craig, Vancouver BC; Margaret Elligott, North Vancouver BC
Ron Borg - Sandra Borg, Kelowna BC
Jennifer Ballantyne, Vancouver BC; Dudley Brown, Grandview WA
Patti McCallum - Reidun Decker, Seattle WA
Don Forsyth - Donald Lust, Osoyoos BC
Joerg Schneider, Vancouver BC; Pat Stapff, Delta BC
Chris Penner, Nanaimo BC; John Demeulemeester, Burnaby BC
Roger Clough - Rebecca Clough, Culver City CA
Michael Moffatt, Surrey BC; Ernie Dietrich, Coquitlam BC
William Wilson, Qualicum Beach BC; Berry Gubbins, Parksville BC
Bobby Thompson - Harvey Bush, Klamath Falls OR
Richard Maskoff, Chicago IL; Toby White, Seattle WA
Jessie Brunswig, Kirkland WA; Lynn Hays, Veradale WA
Donald Mamula, Mill Creek WA; Donald Sache, Delta BC
Harold Sandler, Bainbridge Is WA; Katherine Enos, Bremerton WA
Anita Morse, North Vancouver BC; Rangie Sylvestre, Vancouver BC
Bill Kramer, Regina SK; Barbara Jubenville, Nanaimo BC
Barry Yamanouchi - Tomie Yamanouchi, Burnaby BC

Wednesday Senior Pairs

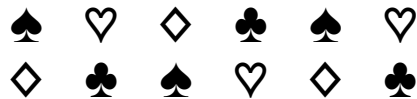
Saskatchewan wins the Grey Cup!

(OK, we borrowed that headline.) **Ronald** and **Lil Hemeon** of Saskatoon won Wednesday's Senior Pairs game with two solid sessions that added to a win by about three-quarters of a board. **Zemmie** and **Stuart Iedema** of Pasco WA won the under-1500 strat by less than half a board over **Neil** and **Maureen McAllister** of Vancouver BC, who won the under-500 strat, making Neil a Life Master!

Score	MP	A	B	C	Wednesday Senior Pairs
58.09%	7.84	1			Ronald Hemeon - Lil Hemeon, Saskatoon SK
56.81%	5.88	2			Don Sharp, Salt-Sprg-IsI BC; Peter Jacquest, Souris MB
56.17%	4.50	3	1		Zemmie Iedema - Stuart Iedema, Pasco WA
55.45%	2.96	4/5			Maureen Barnes - Anne Pilon, Kelowna BC
55.45%	3.38	4/5	2	1	Neil McAllister - Maureen McAllister, Vancouver BC
54.81%	3.11	6	3		Ann S C Ecclestone, Vancouver BC; Eleanor Webb, Surrey BC
54.33%	2.61		4		Rosalyn Richardson, Coquitlam BC; Jo Ann Smith, Burnaby BC
54.25%	2.12		5		Metro Surkan, Prince Albert SK; Terry Martin, Parkside SK
53.29%	2.61		6		Wendy Munden - Brenda Mathews, Kamloops BC
51.84%	1.78			2	Lorne Musclow - Diane Knowles, Kelowna BC

Score	MP	A	B	C	Wednesday Afternoon North-South Leaders
61.06%	2.61	1	1		Wendy Munden - Brenda Mathews, Kamloops BC
55.93%	1.57	2/3/2/3			Metro Surkan, Prince Albert SK; Terry Martin, Parkside SK
55.93%	1.57	2/3/2/3	1		Neil McAllister - Maureen McAllister, Vancouver BC
54.65%	0.91	4			Diane Bishoff, Sparks NV; David Schmidt, Chilliwack BC
53.37%	0.52	5			Maureen Barnes - Anne Pilon, Kelowna BC
53.04%	0.53	6	4		Beverley Cullen, Burnaby BC; Harvey Sawyer, Surrey BC
52.56%	0.37	7			Diane Christianson - Gloria Baker, Kelowna BC

Score	MP	A	B	C	Wednesday Evening North-South Leaders
59.78%	2.61	1	1		Rosalyn Richardson, Coquitlam BC; Jo Ann Smith, Burnaby BC
59.29%	1.83	2			Mae Jardine - Sheila Evans, Calgary AB
58.33%	1.31	3	2	1	Lorne Musclow - Diane Knowles, Kelowna BC
57.53%	0.91	4			Maureen Barnes - Anne Pilon, Kelowna BC
56.73%	0.52	5			Ronald Hemeon - Lil Hemeon, Saskatoon SK
54.97%	0.79	6	3		Zemmie Iedema - Stuart Iedema, Pasco WA
54.17%	0.37	7			Richard Smillie, Parksville BC; Cornel Sawchuk, Nanoose Bay BC
52.56%	0.55	4			Metro Surkan, Prince Albert SK; Terry Martin, Parkside SK



Wednesday Morning 199er Pairs

70% in the final 5-board round seals it for Stewart and Mackey!

Score	MP	D	E	F	Wednesday Morning 199er Pairs
59.00%	1.73	1			Noah W. J. Stewart - Andrew Mackey, Vancouver BC
56.00%	1.14	2/3			Peter Miller, West Vancouver BC; John Stevens, Surrey BC
56.00%	1.14	2/3			Elly Boshell, West Vancouver BC; Dorothy Sanders, North Vancouver BC

Score	MP	D	E	F	Wednesday Morning Howell Leaders
59.00%	1.06	1	1		Noah W. J. Stewart - Andrew Mackey, Vancouver BC
56.00%	0.64	2/3			Peter Miller, West Vancouver BC; John Stevens, Surrey BC
56.00%	0.64	2/3			Elly Boshell, West Vancouver BC; Dorothy Sanders, North Vancouver BC
49.00%	0.63	2	1		Sharon Harrington - Ruth Ring, Calgary AB



Wednesday Evening 199er Pairs

Nearly 67% for Wong-Chor and McCrea!

Score	MP	D	E	F	Wednesday Evening 199er Pairs
66.96%	4.39	1			Adelina Wong-Chor, Vancouver BC; Wendy McCrea, North Vancouver BC
65.18%	3.29	2			Jim Crone - Myra Crone, Sylvan Lake AB
61.90%	3.33	3	1	1	Roberta Dodge - Dale Dodge, Oliver BC
61.31%	2.50	4	2		Marilyn Vitkevich, College Place WA; Karen Dahners, Redmond WA
60.12%	1.87	5	3	2	Chrystal Traquair - Maureen Marshall, Penticton BC
56.55%	1.40	6	4		Beverly Allert - Rebecca Aggergaard, Anacortes WA
55.06%	1.14		5/6	3/4	Pearl Mathesius, Coldstream BC; Mary Driver, Vernon BC
55.06%	1.40		5/6	3/4	Bruce Boan - Peggy Boan, Mill Bay BC
53.87%	0.98			5	Diane Hogan - Douglas Hunter, West Vancouver BC
53.57%	0.70			6	Ruth Ring - Sharon Harrington, Calgary AB

Score	MP	D	E	F	Wednesday Evening North-South Leaders
66.96%	1.46	1			Adelina Wong-Chor, Vancouver BC; Wendy McCrea, North Vancouver BC
56.55%	1.07	2	1		Beverly Allert - Rebecca Aggergaard, Anacortes WA
55.06%	0.79	3	2	1	Pearl Mathesius, Coldstream BC; Mary Driver, Vernon BC
54.17%	0.46	4/5/3/4			Joy Wilson, Sechelt BC; Vnette Howell, Kelowna BC
54.17%	0.46	4/5/3/4			James Sekulich - Audrey Sekulich, Cobble Hill BC
51.49%	0.55			2	Pat Baines - Lori Daniels, Nanaimo BC

Score	MP	D	E	F	Wednesday Evening North-South Leaders
55.06%	1.40	1	1	1	Bruce Boan - Peggy Boan, Mill Bay BC
53.87%	0.98	2	2	2	Diane Hogan - Douglas Hunter, West Vancouver BC
53.57%	0.70	3	3	3	Ruth Ring - Sharon Harrington, Calgary AB
52.38%	0.49	4	4		Judy Armstrong - Dawn Wray, Vernon BC

Score	MP	D	E	F	Wednesday Evening East-West Leaders
61.90%	1.46	1	1	1	Roberta Dodge - Dale Dodge, Oliver BC
60.12%	1.02	2	2	2	Chrystal Traquair - Maureen Marshall, Penticton BC
53.57%	0.73	3			Bertram Schoner, N Vancouver BC; Homa Boustani, West Vancouver BC
52.68%	0.51	4			Georgia Heed, West Vancouver BC; Joyce Schmidt, Esquimalt BC
51.79%	0.29	5			Arlene Hansen, Reno NV; Heather Spratt, Ladysmith BC
50.89%	0.54			3	Heather Garrison - Donna-Faye Madhosingh, Vancouver BC

Score	MP	D	E	F	Wednesday Evening East-West Leaders
65.18%	1.40	1			Jim Crone - Myra Crone, Sylvan Lake AB
61.31%	1.13	2	1		Marilyn Vitkevich, College Place WA; Karen Dahners, Redmond WA
54.76%	0.79	3	2		Noah W. J. Stewart - Andrew Mackey, Vancouver BC
52.38%	0.49	4			Robert Hope, Provost AB; Raj Narang, Regina SK
50.60%	0.84		3	1	Sylvia Frazer - Pat Scarlett, North Vancouver BC
49.70%	0.59		4	2	Shirley King - Nancy Stewart, Calgary AB

Wednesday Afternoon 199er Pairs

North Shore pair wins huge 199er game!

Score	MP	D	E	F	Wednesday Afternoon 199er Pairs (30 tables)
64.77%	5.32	1			Bertram Schoner, N Vancouver BC; Homa Boustani, West Vancouver BC
63.53%	3.99	2			Robert Hope, Provost AB; Raj Narang, Regina SK
63.10%	3.93	3	1	1	Ellen Kuiper, Oliver BC; Robert Thompson, Penticton BC
61.36%	2.95	4	2		Louise Bustard, Royston BC; Eileen Maclean, Comox BC
60.42%	1.68	5			Patti Monkhouse - Audrey Pekrul, Kelowna BC
59.62%	2.21	6	3	2	Joyce Curran - Leatha Dudra, Surrey BC
59.09%	1.66		4		Shirley Charters, Shawnigan Lake BC; Izabella Horvath, Duncan BC
57.39%	1.24		5		Marnie Symborski - Peter Symborski, Celista BC
57.01%	1.42		6	3	Andrea Weslowski, Coquitlam BC; Leslie Tenta, Squamish BC
56.83%	1.06			4	Maureen Marshall - Chrystal Traquair, Penticton BC
55.52%	1.16			5	Pamela Moore - Margaret Duncan, Vancouver BC
53.51%	0.60			6	Elaine Saunders - Ted Saunders, Surrey BC

Score	MP	D	E	F	Wednesday Afternoon North-South Leaders (Section G)
64.77%	1.66	1			Bertram Schoner, N Vancouver BC; Homa Boustani, West Vancouver BC
57.39%	1.19	2	1		Marnie Symborski - Peter Symborski, Celista BC
57.20%	0.83	3			Peter Miller, West Vancouver BC; John Stevens, Surrey BC
54.73%	0.46	4/5			Elly Boshell, West Vancouver BC; Dorothy Sanders, North Vancouver BC
54.73%	0.46	4/5			Elizabeth Robertson - Margaret Blair, Saskatoon SK
53.79%	0.83	6	2		Patricia Kopec - Diane Dickinson, Kamloops BC
52.65%	0.89	3	1		Bonnie Turley - Carol Hansen, Vernon BC
50.57%	0.62	4	2		Harry Cureton - Isabelle Cureton, Nelson BC
50.38%	0.45		3		Barbara McIntyre, Whistler BC; Sandra Jarvis, Vancouver BC

Score	MP	D	E	F	Wednesday Afternoon North-South Leaders (Section H)
55.68%	1.66	1	1		Mary Brandal - Ole Brandal, Renton WA
55.52%	1.16	2	2	1	Pamela Moore - Margaret Duncan, Vancouver BC
55.24%	0.83	3	3		Beverly Allert - Rebecca Aggergaard, Anacortes WA
54.16%	0.58	4			Darryl Pippin, Courtenay BC; Jeannette Tracey, Kelowna BC
53.51%	0.55	5	4	2	Elaine Saunders - Ted Saunders, Surrey BC
53.44%	0.28	6	5		Joy Wilson, Sechelt BC; Vinette Howell, Kelowna BC

Score	MP	D	E	F	Wednesday Afternoon East-West Leaders (Section G)
61.36%	1.66	1	1		Louise Bustard, Royston BC; Eileen Maclean, Comox BC
60.42%	1.16	2			Patti Monkhouse - Audrey Pekrul, Kelowna BC
59.09%	0.96	3	2		Shirley Charters, Shawnigan Lake BC; Izabella Horvath, Duncan BC
57.01%	0.95	4	3	1	Andrea Weslowski, Coquitlam BC; Leslie Tenta, Squamish BC
53.79%	0.33	5			Sheila Gentry, Hope BC; Sharon Horvath, Agassiz BC
52.27%	0.48	6	4		Valerie Embury - Joel Saunders, Kelowna BC
51.52%	0.67		5	2	Lucie Walker - Will Gurrill, Surrey BC
48.11%	0.48		3		Joan Lord, Courtenay BC; Sharon Feduniak, Lund BC

Score	MP	D	E	F	Wednesday Afternoon East-West Leaders (Section H)
63.53%	1.66	1			Robert Hope, Provost AB; Raj Narang, Regina SK
63.10%	1.25	2	1	1	Ellen Kuiper, Oliver BC; Robert Thompson, Penticton BC
59.62%	0.88	3	2	2	Joyce Curran - Leatha Dudra, Surrey BC
56.83%	0.63	4	3	3	Maureen Marshall - Chrystal Traquair, Penticton BC
55.28%	0.44	5	4		James Sekulich - Audrey Sekulich, Cobble Hill BC
53.74%	0.28	6			Bill Grant - Connie Grant, Vernon BC

2008 PENTICTON REGIONAL MASTERPOINT LEADERS (199er events only) (DISCLAIMER: unofficial results)			
1	Vinette Howell, Kelowna BC	8	Homa Boustani, West Vancouver BC
2	Joy Wilson, Sechelt BC	9	Glen Bulmer, Berwyn AB
3	John Stevens, Surrey BC	10	Starr Bulmer, Berwyn AB
4	Peter Miller, West Vancouver BC	11	Bruce Boan, Mill Bay BC
5	Valerie Breen, Whistler BC	12	Peggy Boan, Mill Bay BC
6	Anna Crouch, Whistler BC	13	Ellen Kuiper, Oliver BC
7	Bertram Schoner, N Vancouver BC	14	Raj Narang, Regina SK
		15	Bob Thompson, Penticton BC
		16	Robert Hope, Provost AB
		17	Noah W. J. Stewart, Vancouver BC
		18	Andrew Mackey, Vancouver BC
		19	Wendy McCrea, North Vancouver BC
		20	Adelina Wong-Chor, Vancouver BC
		21	Maureen Marshall, Penticton BC
		22	Chrystal Traquair, Penticton BC
		23	Barbara Chase, West Vancouver BC
		24	Barbara Haagenon, West Vancouver BC

(ACBLScore breaks ties 'randomly')

94 players have won a total of 168.70 masterpoints in 199er events at the 2008 Penticton Regional thru Wednesday.

Wednesday Evening Swiss Teams

Winners: SKOROPADA, RICHARDSON, BEHRMAN

PEARCE, DUNN and GLADMAN all won four of four matches, but SKOROPADA combined a 7-IMP loss in round three with two blitzes and a near blitz in round one to win by two Victory Points. The strat B winners, RICHARDSON, lost by 26 IMPs to the strat C winning BEHRMAN team in round two, but stormed back with 39 VPs in their last two matches to finish one VP ahead!

VPs	MP	A	B	C	Wednesday Evening Swiss Teams (62 teams)
65.00	10.83	1			Garry Skoropada, Maple Ridge BC; Barry Bringsli, Nanaimo BC; Tai Eng, Burnaby BC; Gray McMullin, Vancouver BC
63.00	8.12	2			Margaret Pearce, Penticton BC; Alje Kamminga, Osoyoos BC; Shelly Dunietz - Erez Hendelman, New York NY
62.00	5.33	3/4			Polly Dunn - Patrick Dunn, Bellevue WA; Bob Todd, Winnipeg MB; Michael Yuen, Vancouver BC
62.00	5.33	3/4			Andy Anderson - Curley Anderson - Dennis Nelson, Saskatoon SK; Dave Schouweiler, Bismarck ND
61.00	3.00	5/6			Donald Gladman - Lamya Abougoush - Dinesh Agrawal - Rajendra Agrawal, Calgary AB
61.00	3.00	5/6			Hamish Bennett, Menlo Park CA; Greg House, S San Fran CA; Cameron Doner, Richmond BC; Jackie Evans, Albuquerque NM
56.00	8.34	7	1		Robert Richardson, Clinton WA; Joel Castoriano, Mercer Island WA; John Aslin, Woodinville WA; David Hildebrand, Lake Forest Par WA
55.00	6.26	2	1		Marjorie Behrman - Helen Dunham, Qualicum Beach BC; Carolann Murray, Shaunavon SK; Bonnie Christopherson, Nanoose Bay BC
51.00	4.69	3			Dennis Duryea, Bellevue WA; Dianne Cox, Redmond WA; Margaret Moen, Seattle WA; Frank Alexandro, Kirkland WA
50.00	4.21	4	2		Barb Hargreaves - Susan Richardson - Beverley Wardstrom, Kamloops BC; Joan Shannon, Calgary AB
49.00	2.64	5			Merle Hickey - Patrick Murphy, Calgary AB; John Zerr - Geraldine Zerr, Saskatoon SK
48.00	1.98	6			Richard Morris - Katherine Morris, Portland OR; John Yadon, Gresham OR; Tammy Pepper, Lavonia GA
43.00	3.16		3		Diane McNames - Norma McNamara, Delta BC; Jane Youngberg - Marlene Barber, Surrey BC
42.00	1.62		4/7		Chris Moore - Joe Moore, Delta BC; Donald McDonald - Dianne McDonald, Abbotsford BC
42.00	1.62		4/7		John Moynan, Victoria BC; Eric Bjorklind, Sherwood Park AB; David Stoker, Twin Falls ID; Ronald Heath, Encinitas CA
42.00	1.62		4/7		Dorothy Macleod - Don Macleod - Ataollah Amiri - Zahra Jafroudi, West Vancouver BC
42.00	1.62		4/7		Carole Wells, Victoria BC; Eileen Currier, Oliver BC; Arlene Brand, Sooke BC; Bill Brand, Calgary AB

Plum Good Compact Bracketed Knockout Teams, Bracket One

Bracket One has twelve teams and no masterpoint limit.

OPENING ROUND Wednesday Morning 1st 1.50 red	QUARTERFINALS Wednesday Morning 2nd 7.11 gold (conso: 0.54 red)	SEMIFINALS Thursday Morning 1st 14.22 gold	FINAL Thursday Morning 2nd 20.31 gold
Glasner vs Anderson Clough vs Whitesel Lambert vs Steinberg Cox vs Evans Hurlbert vs Barrett Kakimoto vs Anten	Anderson vs Clough vs Steinberg Evans vs Barrett vs Anten Glasner vs Whitesel vs Lambert Cox vs Hurlbert vs Kakimoto	Barrett vs Anten Clough vs Anderson Glasner vs Cox Lambert vs Kakimoto	3rd: 9.14 gold Consolation 1st: 7.18 red 2nd: 3.81 red
The Hideous Hog (In Training)'s Pick: Clough over Anten in the final Lambert over Glasner in the consolation final			

Plum Good Compact Bracketed Knockout Teams, Bracket Two

Bracket Two has twelve teams. Average masterpoints per player in this in the bracket: 1,393.

OPENING ROUND Wednesday Morning 1st 0.72 red	QUARTERFINALS Wednesday Morning 2nd 3.35 gold (conso: 0.38 red)	SEMIFINALS Thursday Morning 1st 6.71 gold	FINAL Thursday Morning 2nd 9.58 gold
Pearce vs Jhawar Premdas vs Linman Lee vs Cook Watts vs Kupchanko McCarthy vs Edwards Dore vs Patel	Jhawar vs Premdas vs Lee Watts vs Edwards vs Patel Pearce vs Linman vs Cook Kupchanko vs McCarthy vs Dore	Jhawar vs Lee Edwards vs Watts Cook vs Dore Linman vs Kupchanko	3rd: 6.71 gold Consolation 1st: 4.25 red 2nd: 2.25 red
The Hideous Hog (In Training)'s Pick: Watts over Jhawar in the final Cook over Linman in the consolation final			

"PLUM GOOD" MORNING COMPACT KNOCKOUTS

BRACKET ONE SEMIFINALISTS:

Andy Anderson - Dennis Nelson - Curley Anderson, Saskatoon SK; Dave Schouweiler, Bismarck ND
vs
Becky Clough - Roger Clough, Culver City CA;
Greg House, S San Fran CA;
Hamish Bennett, Menlo Park CA

G S Jade Barrett, Elk Point SD; Anne Dawson, Delhi LA; Chris Moll, Lavonia GA;
Bruce Reeve, Raleigh NC
vs
Ellen Anten, Encino CA; Steve Gross, Westlake Vlg CA; Gerry McCully - Rhonda Foster, New Westminster BC

"PLUM GOOD" MORNING COMPACT KNOCKOUTS

BRACKET TWO SEMIFINALISTS:

Vandana Jhawar - Pradeep Jhawar, Layton UT;
Cam Meyer, Bend OR;
Matthew Mallory, San Diego CA
vs
Andrew Lee, Richmond BC; Marlene Lenstra, Calgary AB; John Demeulemeester, Burnaby BC;
Zoran Peca, Vancouver BC

Bob Watts, Richmond United Kingdom; Karen Long - Lloyd Jones - Anita Lambert, Edmonton AB
vs
Thomas Edwards - J Van Keuren, Richland WA;
Ross Bates, Castlegar BC;
Bob Christie, Lethbridge AB

WEEKDAY Side Game Series

Session 4 of 6: Wednesday Evening Side Game

Score	MP	A	B	C	Wednesday Evening Side Game (21 tables)
61.22%	4.70	1	1		Nina Lubick-Reich, Fullerton CA; Robert Bjorge, Bellingham WA
60.02%	3.09	2/3	2		J Gilliatt - Shirley Cox, Penticton BC
60.02%	3.09	2/3			Marnie Hueston - Sheila Macdougall, Victoria BC
59.04%	1.98	4			E Partel - William Lim, Vernon BC
56.86%	2.02	5	3		Mary Egger, Springfield OR; Peggy Johnson, Lake Oswego OR
55.66%	1.45	6			Leo Bicknese, Mesa AZ; Evelyn Sisonenko, Red Deer AB
54.36%	2.12		4	1	Donnie McIntosh, Edmonton AB; John Bouchard, Spokane WA
54.14%	1.44		5		Carl Brame, Tacoma WA; Kay Teal, Richland WA
53.92%	1.59		6	2	Clayton Connolly, Port Moody BC; Ann Hung, Vancouver BC
52.07%	1.19			3	Susan Wake - Douglas Wake, Seattle WA

Score	MP	A	B	C	Wednesday Evening North-South Leaders (Sections E, F)
60.02%	2.46	1/2	1		J Gilliatt - Shirley Cox, Penticton BC
60.02%	2.46	1/2			Marnie Hueston - Sheila Macdougall, Victoria BC
59.04%	1.45	3			E Partel - William Lim, Vernon BC
55.34%	1.01	4			Joyce Peterson, Federal Way WA; Lenore Thompson, Tacoma WA
54.79%	0.58	5			Jean Hughes, Coeur d'Alene ID; Lorne Lacy, Marysville WA
54.14%	1.44	6	2		Carl Brame, Tacoma WA; Kay Teal, Richland WA
53.38%	0.88	7/8/3/4			Carole Anne Snow, Calgary AB; Diane Thompson, Kamloops BC
53.38%	0.88	7/8/3/4			Alan Henderson, Nanaimo BC; Dorothy Dore, Castlegar BC
52.18%	0.41	5			Shirley Weissenfluh, Bend OR; Frances Gates, Waldport OR
48.26%	0.99		1		Lynn Goshawk - Elaine Panchuk, Saskatoon SK

Score	MP	A	B	C	Wednesday Evening East-West Leaders (Sections E, F)
61.22%	2.89	1	1		Nina Lubick-Reich, Fullerton CA; Robert Bjorge, Bellingham WA
56.86%	2.02	2	2		Mary Egger, Springfield OR; Peggy Johnson, Lake Oswego OR
55.66%	1.45	3			Leo Bicknese, Mesa AZ; Evelyn Sisonenko, Red Deer AB
55.34%	1.01	4			G S Jade Barrett, Elk Point SD; Richard Helams, West Monroe LA
55.12%	0.58	5			Peter Barthels - Theresa Barthels, Cheney WA
54.36%	1.14	6	3	1	Donnie McIntosh, Edmonton AB; John Bouchard, Spokane WA
53.92%	0.80	7	4	2	Clayton Connolly, Port Moody BC; Ann Hung, Vancouver BC
52.07%	0.40	8/9/5/6			Barb Beagle - William Basler, Calgary AB
52.07%	0.40	8/9/5/6			Susan Wake - Douglas Wake, Seattle WA

"PLUM GOOD" MORNING COMPACT KNOCKOUTS

BRACKET THREE CONSOLATION SEMIFINALISTS:

Karl Ptasinski - Harold Kroeger - Pam Kays - Joe Pfeifer, Saskatoon SK
vs
Willa Dumka - Don Dumka - Beth Massie - Anne Stang, Calgary AB

Denny Gibson, Maple Ridge BC; Sheila Gentry, Hope BC; Donna Gorda, Crossfield AB;
P. Joan Fahselt, Creston BC
vs
Rick Smith - Chris Sarich, Saskatoon SK;
Joyce Butler - Dennis Butler, Regina SK

Brackets on page 9-10

"PLUM GOOD" MORNING COMPACT KNOCKOUTS

BRACKET FOUR CONSOLATION SEMIFINALISTS:

Donald Basarsky - Catherine Basarsky - Jim Murphy - Chris Murphy, Calgary AB
vs
Bryan Monkhouse - Patti Monkhouse - Robert Carrier - Audrey Pekrul, Kelowna BC

Olga Burno - Barb Hiebert - Bill Grant - Connie Grant, Vernon BC
vs
Elizabeth Robertson - Margaret Blair, Saskatoon SK; Myra Crone - Jim Crone, Sylvan Lake AB

Brackets on page 9-10

WEEKDAY Side Game Series

Session 3 of 6: Wednesday Afternoon Side Game

Score	MP	A	B	C	Wednesday Afternoon Side Game (17 tables)
64.42%	4.10	1			Connie Delisle, Vancouver BC; Paul Glick, Phoenix AZ
59.78%	3.08	2			Tom Loveday, Sequim WA; Joan Tschirki, Aurora CO
59.13%	2.31	3			Clay Connolly, Port Moody BC; Colin Crawford, Calgary AB
58.17%	3.49	4	1		Marjorie Behrman, Qualicum Beach BC; Carolann Murray, Shaunavon SK
57.53%	2.73	5	2	1	Loretta Schwartzberge, Lethbridge AB; Linda McIntosh, Vancouver BC
56.57%	1.96	6	3		Garnet Hammer - Deanna Hammer, Olds AB
54.97%	1.47		4		Bob Christie, Lethbridge AB; Ross Bates, Castlegar BC
54.81%	1.17		5		Carter Hoffmann - Pam Hoffmann, Normandy Park WA
54.49%	2.05		6	2	Jo Ann Horne - Gwenn Brusset, Calgary AB
54.33%	1.54			3	Patricia Henry, Seattle WA; Dana Lawrence, Kirkland WA
51.76%	1.15			4	Bud Craig - Frank Harvey-Smith, Kelowna BC
51.60%	0.80			5/6	Alan Henderson, Nanaimo BC; Vivian Camandona, Mill Creek WA
51.60%	0.76			5/6	Gerald Paul, Burnaby BC; Brenda Bascom, Kelowna BC

Score	MP	A	B	C	Wednesday Afternoon North-South Leaders (Section E)
64.42%	2.52	1			Connie Delisle, Vancouver BC; Paul Glick, Phoenix AZ
59.13%	1.76	2			Clay Connolly, Port Moody BC; Colin Crawford, Calgary AB
58.17%	1.96	3	1		Marjorie Behrman, Qualicum Beach BC; Carolann Murray, Shaunavon SK
55.45%	0.88	4			Van Buchanan, Victoria BC; Robert Bosley, Bellingham WA
54.97%	1.37	5	2		Bob Christie, Lethbridge AB; Ross Bates, Castlegar BC
53.85%	0.42	6			E Partel - William Lim, Vernon BC
51.76%	1.14	7	3	1	Bud Craig - Frank Harvey-Smith, Kelowna BC
51.60%	0.80		4	2	Alan Henderson, Nanaimo BC; Vivian Camandona, Mill Creek WA

Score	MP	A	B	C	Wednesday Afternoon East-West Leaders (Section E)
59.78%	2.52	1			Tom Loveday, Sequim WA; Joan Tschirki, Aurora CO
57.53%	2.33	2	1	1	Loretta Schwartzberge, Lethbridge AB; Linda McIntosh, Vancouver BC
56.57%	1.63	3	2		Garnet Hammer - Deanna Hammer, Olds AB
54.81%	1.17	4	3		Carter Hoffmann - Pam Hoffmann, Normandy Park WA
54.49%	1.06	5	4	2	Jo Ann Horne - Gwenn Brusset, Calgary AB
54.33%	0.76	6	5	3	Patricia Henry, Seattle WA; Dana Lawrence, Kirkland WA
53.53%	0.39	7	6		Barb Beagle - William Basler, Calgary AB
51.60%	0.53			4	Gerald Paul, Burnaby BC; Brenda Bascom, Kelowna BC

“PLUM GOOD” MORNING COMPACT KNOCKOUTS

BRACKET ONE CONSOLATION SEMIFINALISTS:

Margaret Glasner, Yuma AZ; Garry Skoropada, Maple Ridge BC; Marguerite Chiarenza, Vancouver BC; Diane Ayukawa, Delta BC
vs
John Cox, Kellogg ID; Marina Page - Samantha Nystrom - Kathy Bye, Burnaby BC

Bernie Lambert, Acme AB; Abdul Fakhri - Hash Mohamed, Calgary AB; Tom Gandolfo, Edmonton AB

vs

Mariko Kakimoto, Newport Beach CA; Alfred Lee, Rancho Pls Vrd CA; Eugene Chan, Burnaby BC; Eurydice Nours, Richmond BC

Brackets on page 9-10

“PLUM GOOD” MORNING COMPACT KNOCKOUTS

BRACKET TWO CONSOLATION SEMIFINALISTS:

Nelda Linman - W Roberts - J Roberts, Bend OR; Meredith McKittrick, Black Butte Rnch OR
vs

Ron Kupchanko, Edmonton AB; Perry Chan, Calgary AB; David Willmott, Folsom CA; Charlotte Aleksen, Richmond BC

Nancy Cook - Doug Hawrelak, Edmonton AB; Tom Nault, Calgary AB; Gray McMullin, Vancouver BC

vs

Dot Dore, Castlegar BC; Gwen Olderness, Kimberley BC; Joan Field - Bonnie Scott, Salmo BC

Brackets on page 9-10

Plum Good Compact Bracketed Knockout Teams, Bracket Three

Bracket Three has fifteen teams. Average masterpoints per player in this in the bracket: 467.

OPENING ROUND	QUARTERFINALS	SEMIFINALS	FINAL
Wednesday Morning 1st 0.48 red	Wednesday Morning 2nd 1.50 gold, 0.75 red (conso: 0.38 red)	Thursday Morning 1st 3.00 gold, 1.50 red	Thursday Morning 2nd 4.29 gold, 2.14 red
Wolin vs Smith vs Iverson Wilson vs Meyer McCannell vs Ptasinski Barr vs Goshawk Harvey-Smith vs Norden Dumka vs Davie Amiri vs Gibson	Meyer vs Wolin Barr vs McCannell Davie vs Harvey-Smith Iverson vs Amiri Wilson vs Ptasinski vs Gibson Smith vs Goshawk Norden vs Dumka	Davie vs Meyer Barr vs Iverson Dumka vs Ptasinski Gibson vs Smith	3rd: 1.93 gold, 0.96 red Consolation 1st: 2.71 red 2nd: 1.44 red 3rd: 0.61 red
The Hideous Hog (In Training)'s Pick: Iverson over Meyer in the final Dumka over Gibson in the consolation final			

Plum Good Compact Bracketed Knockout Teams, Bracket Four

Bracket Four has sixteen teams. Average masterpoints per player in this in the bracket: 155.

OPENING ROUND	QUARTERFINALS	SEMIFINALS	FINAL
Wednesday Morning 1st 0.38 red	Wednesday Morning 2nd 0.47 gold, 0.93 red (conso: 0.38 red)	Thursday Morning 1st 0.93 gold, 1.87 red	Thursday Morning 2nd 1.33 gold, 2.67 red
Basarski vs Porter Anderson vs Dickson Kyle vs Monkhouse Bererton vs Patrick Wilson vs Thompson Burno vs Kerr Sandmaier vs Heep Karriker vs Robertson	Porter vs Dickson Kyle vs Patrick Wilson vs Kerr Heep vs Karriker Basarski vs Anderson Monkhouse vs Bererton Thompson vs Burno Sandmaier vs Robertson	Kerr vs Karriker Porter vs Kyle Burno vs Robertson Basarski vs Monkhouse	3rd: 0.60 gold, 1.20 red Consolation 1st: 1.60 red 2nd: 0.85 red 3rd: 0.36 red
The Hideous Hog (In Training)'s Pick: Porter over Karriker in the final Monkhouse over Robertson in the consolation final			

“PLUM GOOD” MORNING COMPACT KNOCKOUTS

BRACKET THREE SEMIFINALISTS:

Robert Iverson - Joyce Antoine, Meota SK; Bill Kramer - Bob Loewen, Regina SK
vs
David Barr - Marshall Mah - Jacqui Erwert, Spokane WA; Warren Watson, Trail BC

Kent Meyer - David Meyer - Pauline Higgins, Quesnel BC; Gordon Delf, Kelowna BC

vs

Ray Davie - Marnie Davie, Meota SK; Martha Bley - Ross Bley, Fort Washington MD

“Plum Good” Morning Compact Knockout Consolation Semifinalist Rosters are on page 16-17

“PLUM GOOD” MORNING COMPACT KNOCKOUTS

BRACKET FOUR SEMIFINALISTS:

Ed Porter - Mary Porter - Carol Staneslow - James Porter, Calgary AB
vs
Robert Kyle - Nancy Kyle, Richland WA; Dale Rands, Snowmass Vlg CO; Vera Kroetch, Victoria BC

Kay Kerr - Marguerite Watson - Beth Allan - King Lee, Victoria BC

vs

Robert Karriker - Heidi Karriker, Norman OK; John Butler - Cindy Butler, Garland TX

Tuesday-Wednesday Knockout Teams

The "Cherry Blossom" Knockouts

MP	Brkt.	Rank	Tuesday-Wednesday Bracketed Knockout Teams	(117 teams, 8 brackets)
41.42	I	1	Peter Jones, Edmonton AB; Jim Galand, Victoria BC; Rhonda Foster - Gerry McCully, New Westminster BC	
28.99		2	Chris Moll, Lavonia GA; Mike Dorn Wiss, Nanaimo BC; Earl Knipfel, Moose Jaw SK; Kim Corbin, Scottsdale AZ; Ellis Feigenbaum, Petah Tikva 493 Israel; Bruce Reeve, Raleigh NC	
16.57		3/4	David Corn, Spokane WA; Leo Glaser, Winfield BC; Bob Todd, Winnipeg MB; Mike Yuen, Vancouver BC	
16.57		3/4	Cam Doner, Richmond BC; Jackie Evans, Albuquerque NM; Greg House, S San Fran CA; Hamish Bennett, Menlo Park CA; Polly Dunn - Pat Dunn, Bellevue WA	
26.81	II	1	Jamie Newman - Ron Jauch, Nevada City CA; Kathy Hansen - Mike Hansen, Vancouver WA	
18.77		2	Bob Esser - Mary Olsky - Mark Olsky, Madison WI; Glenna Shannahan, Fitchburg WI	
10.72		3/4	Andy Anderson - Curley Anderson - Dennis Nelson, Saskatoon SK; Dave Schouweiler, Bismarck ND	
10.72		3/4	Tom Thomsen, Courtenay BC; Sal Vogrig, Powell River BC; Barry Bringsli, Nanaimo BC; Gray McMullin, Vancouver BC	
18.65	III	1	Nancy Cook - Doug Hawrelak, Edmonton AB; David Willmott, Folsom CA; Tom Nault, Calgary AB	
13.06		2	Elaine Sorensen, Lake Country BC; Gloria Duncan - Shirley Purcell - Jane Wilkinson, Kelowna BC	
7.46		3/4	Barry Yamanouchi - Tomie Yamanouchi, Burnaby BC; Jeanette Greenhut - Rosalee Hardin, Vancouver BC	
7.46		3/4	Rosemarie Jesse, Redmond WA; Cindy Larsen, Springfield OR; Doreen Ransom - Colin Ransom, Furry Creek BC	
15.83	IV	1	John Brodrick - Mike Dickie - Mike Vitchev - Harry Sadd, Victoria BC	
11.08		2	Jack Bradshaw - Carole Bradshaw, Courtenay BC; Phil Sanford - Maureen Olafson, Campbell River BC	
6.33		3/4	Patrick Murphy - Merle Hickey, Calgary AB; Geraldine Zerr - John Zerr, Saskatoon SK	
6.33		3/4	Gwen Olderness, Kimberley BC; Lorne Nicolson - Chuck Clarkson, Nelson BC; Joan Field, Salmo BC	
13.92	V	1	Bernard Hoeschen - Gordon Wright, Vancouver BC; Jackson Steffes, Pacific Palisad CA; John Campbell, Rncho Pals Vrd CA	
9.74		2	Howard Cheng - Bruce Storey, Lethbridge AB; Sharon Whitesel, Sandpoint ID; Pat Strand, 9 Mile Falls WA	
5.57		3/4	Tony Ferguson - Don Cousens - Isobel Green, Penticton BC; Marlene Lenstra, Calgary AB	
5.57		3/4	Arlene Brand, Sooke BC; Bill Brand, Calgary AB; Carole Wells, Victoria BC; Eileen Currier, Oliver BC	
11.29	VI	1	Bonnie Purcell - Gerald Purcell - Lynda MacMath - Don MacMath, Kelowna BC	
7.90		2	Richard Baker, Bremerton WA; Norma Howard - Perry Bruce - Craig Hamilton, Kamloops BC	
4.52		3/4	David Stoker, Twin Falls ID; Eric Bjorklind, Sherwood Park AB; John Moynan, Victoria BC; Ron Heath, Encinitas CA	
4.52		3/4	Harvey Bridges - Jean Bridges - Dorothy Macleod - Don Macleod, West Vancouver BC	
10.75	VII	1	Brian Turner - Dianna Wreford - Art Iwasa - Evelyn Iwasa, Calgary AB	
7.53		2	Dick Murphy - Pearl Wolfe, East Wenatchee WA; Joan Adie - Kenneth Adie, Regina SK	
4.30		3/4	Sharon Hills - Leonard Hills, Sequim WA; Eileen Rogers - Barbara Bradford, Port Townsend WA	
4.30		3/4	Mike Coopersmith - Connie Coopersmith, Mead WA; Sherri Morgan, Eugene OR; Marge Bledsoe, Des Moines IA	
6.00	VIII	1	Denny Gibson, Maple Ridge BC; Tish Schweizer - Paul Johansen - Donna Wanless, Kamloops BC	
4.20		2	Jan Argent - Barb Tracey - Gladys Rantz - Ann Corcoran, North Vancouver BC	
2.40		3/4	Shirley Laidlaw - Adrienne Damgaard - Annette Miller - Gillian Schramm, Whistler BC	
2.40		3/4	Marta Cecchi, Chilliwack BC; Mary Lowe, Agassiz BC; Holly Boyson, Sardis BC; Arnold McCombs, Harrison Hot Sp BC	

MORNING Side Game Series

Session 2 of 5: Wednesday Morning Side Game

Score	MP	A	B	C	Wednesday Morning Side Game	(13 tables)
58.45%	3.49	1			Angela Taylor-Ferguson - Barbara Jubenville, Nanaimo BC	
57.63%	3.03	2	1		Carl Brame, Tacoma WA; Kay Teal, Richland WA	
57.22%	2.15	3			John Coone, Vernon BC; Jack Triplett, Inkom ID	
57.18%	1.47	4			Don Gladman - Lamy Abougoush, Calgary AB	
55.73%	2.27	5	2		Jennie Barton - Brad Barton, Kelowna BC	
54.05%	1.08	6			Karen Barrett, Elk Point SD; Richard Helams, West Monroe LA	
53.48%	1.70		3		Dawna Findlay, Olds AB; Evelyn Sisonenko, Red Deer AB	
53.05%	1.28		4		Peter Galbraith, Waianae HI; Eleanor Webb, Surrey BC	
52.44%	1.97		5	1	Judy Clerke, Vernon BC; Robert Hope, Provost AB	
51.33%	1.30		6/7	2/3	Howard Cheng - Bruce Storey, Lethbridge AB	
51.33%	1.30		6/7	2/3	Bob Whitehead - Bill MacRae, Kelowna BC	

Score	MP	A	B	C	Wednesday Morning North-South Leaders	(Section G)	Score	MP	A	B	C	Wednesday Morning East-West Leaders	(Section G)
58.45%	2.15	1			Angela Taylor-Ferguson - Barbara Jubenville, Nanaimo BC		57.22%	2.15	1			John Coone, Vernon BC; Jack Triplett, Inkom ID	
57.63%	1.77	2	1		Carl Brame, Tacoma WA; Kay Teal, Richland WA		55.73%	1.87	2	1		Jennie Barton - Brad Barton, Kelowna BC	
57.18%	1.08	3			Don Gladman - Lamy Abougoush, Calgary AB		54.05%	1.08	3			Karen Barrett, Elk Point SD; Richard Helams, West Monroe LA	
51.33%	1.24	4	2	1	Howard Cheng - Bruce Storey, Lethbridge AB		53.48%	1.31	4	2		Dawna Findlay, Olds AB; Evelyn Sisonenko, Red Deer AB	
50.88%	0.89	5	3		Clell Wheelchel - Claudette Wheelchel, Westbank BC		53.05%	0.94	5	3		Peter Galbraith, Waianae HI; Eleanor Webb, Surrey BC	
49.60%	0.62		4		Dick Pagel, Olalla WA; Marv Novak, Bremerton WA		52.44%	0.99		4	1	Judy Clerke, Vernon BC; Robert Hope, Provost AB	

MORNING Side Game Leaders

After two of five sessions

Rank	Score	MORNING Side Game Series Leaders after 2 of 5 sessions	(98 players)
1	114.00%	Don Gladman, Calgary AB	
2/3	113.66%	John Coone, Vernon BC	
2/3	113.66%	Jack Triplett, Inkom ID	
4/5	111.81%	Evelyn Sisonenko, Red Deer AB	
4/5	111.81%	Dawna Findlay, Olds AB	
6/7	110.99%	Howard Cheng, Lethbridge AB	
6/7	110.99%	Bruce Storey, Lethbridge AB	

WEEKDAY Side Game Leaders

After four of six sessions

Rank	Score	WEEKDAY Side Game Series Leaders after 4 of 6 sessions	(217 players)
1	133.01%	Connie Delisle, Vancouver BC	
2/3	118.81%	John Coone, Vernon BC	
2/3	118.81%	Jack Triplett, Inkom ID	
4/5	114.49%	John Bouchard, Spokane WA	
4/5	114.49%	Donnie McIntosh, Edmonton AB	
6	114.27%	Tom Loveday, Sequim WA	

Apple of Your Eye Bracketed Knockout Teams, Bracket Seven

Bracket Seven has sixteen teams. Average masterpoints per player in this bracket: 124.

OPENING ROUND Wednesday Afternoon 0.75 red	QUARTERFINALS Wednesday Evening 0.80 gold, 1.60 red	SEMIFINALS Thursday Afternoon 1.40 gold, 2.80 red	FINAL Thursday Evening 2.00 gold, 4.00 red
<i>Karriker</i> vs Sutherland <i>Mitchell</i> vs Moore <i>Patrick</i> vs Scott Wurz vs <i>Bererton</i> <i>Basarsky</i> vs Wallace <i>Wilson</i> vs Hatten Isaac vs <i>Holcombe</i> <i>Chicoine</i> vs Neill	Basarsky vs <i>Wilson</i> <i>Bererton</i> vs Karriker Mitchell vs <i>Chicoine</i> Patrick vs <i>Holcombe</i>	Bererton vs Chicoine Wilson vs Holcombe	??? vs ???
The Hideous Hog (In Training)'s Pick: Chicoine over Wilson in the final (semifinal team rosters are below)			

Apple of Your Eye Bracketed Knockout Teams, Bracket One

Bracket One has sixteen teams and no masterpoint limit.

OPENING ROUND Wednesday Afternoon 3.00 red	QUARTERFINALS Wednesday Evening 17.90 gold	SEMIFINALS Thursday Afternoon 31.33 gold	FINAL Thursday Evening 44.75 gold
<i>Anten</i> vs Vission Gandolfo vs <i>Rottmayer</i> Eng vs <i>Rossmann</i> <i>Jepson</i> vs Epley Romm vs <i>Sackett</i> <i>Barton</i> vs Barrett <i>Marshall</i> vs Darcy Lawrence vs <i>Housley</i>	Barton vs <i>Marshall</i> <i>Rottmayer</i> vs Jepson Sackett vs <i>Rossmann</i> <i>Anten</i> vs Housley	Anten vs Rottmayer Rossmann vs Marshall	??? vs ???
The Hideous Hog (In Training)'s Pick: Anten over Marshall in the final (semifinal team rosters are below)			

Apple of Your Eye Bracketed Knockout Teams, Bracket Two

Bracket Two has fourteen teams. Average masterpoints per player in this bracket: 2,141.

OPENING ROUND Wednesday Afternoon 1.86 red	QUARTERFINALS Wednesday Evening 9.93 gold	SEMIFINALS Thursday Afternoon 17.38 gold	FINAL Thursday Evening 24.83 gold
Patel vs <i>Jhawar</i> vs <i>Deschner</i> <i>Hurlbert</i> vs Biel vs <i>Adams</i> <i>Rowell</i> vs Glasner <i>Kakimoto</i> vs Spik Pearce vs <i>Estrada</i> <i>Williams</i> vs Zerebesky	Deschner vs <i>Rowell</i> <i>Kakimoto</i> vs Williams <i>Estrada</i> vs Hurlbert <i>Jhawar</i> vs Adams	Jhawar vs Kakimoto Rowell vs Estrada	??? vs ???
The Hideous Hog (In Training)'s Pick: Estrada over Jhawar in the final (semifinal team rosters are below)			

"APPLE OF YOUR EYE" KNOCKOUTS

BRACKET ONE SEMIFINALISTS:

Ellen Anten, Encino CA; Suzette Wynn - Steve Scott, Phoenix AZ; Steve Gross, Westlake Vlg CA
vs

David Rottmayer - William Rottmayer, Spokane WA;
Paul Graham - Francesca Walton, Calgary AB

Betty Rossmann - Ed Ulman, Portland OR;
Brenda Keller - Bruce Ferguson, Boise ID;
Gard Hays, Veradale WA; Bill Whitesel, Sandpoint ID
vs

Gerry Marshall, Calgary AB; Jonathan Steinberg, Toronto ON; Daniel Korbel, Waterloo ON;
Bernie Lambert, Acme AB

"APPLE OF YOUR EYE" KNOCKOUTS

BRACKET TWO SEMIFINALISTS:

Vandana Jhawar - Pradeep Jhawar, Layton UT;
Cam Meyer, Bend OR;
Matthew Mallory, San Diego CA
vs

Mariko Kakimoto, Newport Beach CA; Alfred Lee, Rncho Pls Vrd CA; Eurydice Nours, Richmond BC;
Eugene Chan, Burnaby BC

John Rowell - Barbara Rowell, Alert Bay BC; Angela Taylor-Ferguson - Allan Ferguson, Nanaimo BC
vs

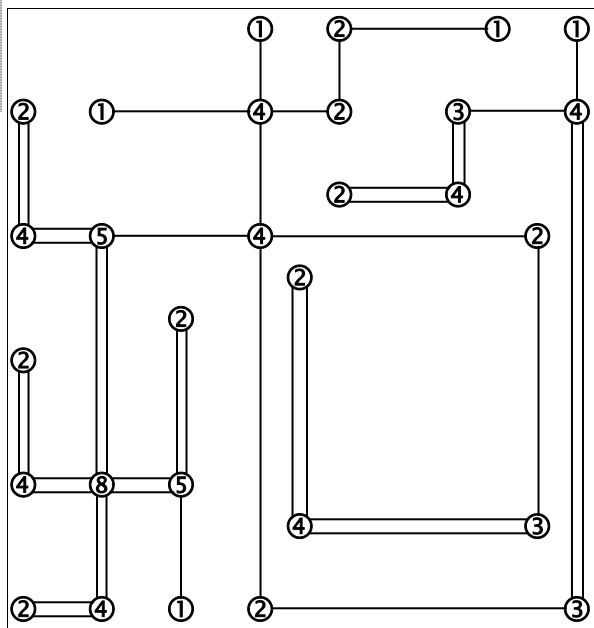
Gordon Estrada, Surrey BC; Larry Pocock, New Westminster BC; Samantha Nystrom, Burnaby BC;
Zoran Peca, Vancouver BC

HHIT Doing Well

65% in Cherry Blossom KOs!

Our system gives one point for picking one semifinal winner, three points for picking both, and two more for picking the final winner, a maximum of five points. The Hideous Hog in Training started the week out well, with 5 for 5 in the 1st, 3rd and 8th bracket, scoring 26 out of a possible 40. More prognostications coming true — or not — today!

Below: answers from the Wednesday puzzles.



"APPLE OF YOUR EYE" KNOCKOUTS

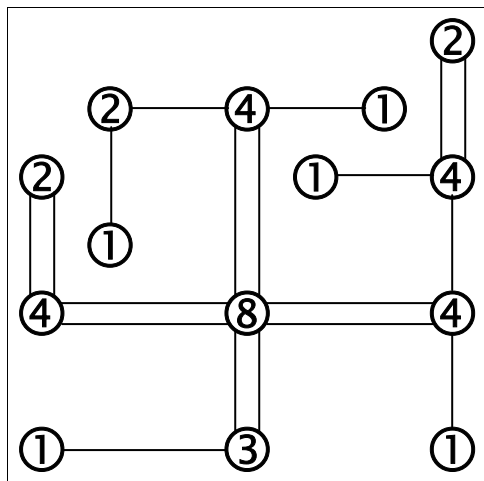
BRACKET SEVEN SEMIFINALISTS:

Jenny Bererton, Okotoks AB; Shelley Quinney, Chestermere AB; Ineke Boudewijn - Edna Gosbee, Calgary AB
vs

Christine Chicoine - Mary Porter - Marjorie Grubb - Caroline Colliver, Calgary AB

Robert Wilson - Barb Strole, Spokane WA;
Ev Barton, Kelowna BC; Pat Cochrane, Delta BC
vs

George Holcombe - Carol Holcombe, Anchorage AK; Kittie Neifert - Marion Kibbe, Whitefish MT



Apple of Your Eye Bracketed Knockout Teams, Bracket Three			
Bracket Three has sixteen teams. Average masterpoints per player in this bracket: 1,149.			
OPENING ROUND	QUARTERFINALS	SEMIFINALS	FINAL
Wednesday Afternoon 1.57 red	Wednesday Evening 8.36 gold	Thursday Afternoon 14.62 gold	Thursday Evening 20.89 gold
Sherman vs Linman Watts vs Drane De Kezel vs Morris Findlay vs Anderson Marchant vs Egger Skakun vs Macdougall Brame vs McCullough Alekson vs Johnson	Marchant vs Skakun Anderson vs Alekson De Kezel vs Watts Sherman vs McCullough	Sherman vs Marchant	??? vs ???
		De Kezel vs Alekson The Hideous Hog (In Training)'s Pick: Alekson over Marchant in the final (semifinal team rosters are below)	

Apple of Your Eye Bracketed Knockout Teams, Bracket Four			
Bracket Four has fourteen teams. Average masterpoints per player in this bracket: 627.			
OPENING ROUND	QUARTERFINALS	SEMIFINALS	FINAL
Wednesday Afternoon 1.05 red	Wednesday Evening 5.58 gold	Thursday Afternoon 9.76 gold	Thursday Evening 13.94 gold
Barr vs Grant vs Huberman Roosna vs Kroeger vs Davie Mayer vs Ross Amiri vs Foster Cox vs Gellner Peppar vs Yager	Foster vs Mayer Peppar vs Gellner Grant vs Roosna Huberman vs Davie	Huberman vs Roosna	??? vs ???
		Mayer vs Gellner The Hideous Hog (In Training)'s Pick: Mayer over Huberman in the final (semifinal team rosters are below)	

Apple of Your Eye Bracketed Knockout Teams, Bracket Five			
Bracket Five has sixteen teams. Average masterpoints per player in this bracket: 458.			
OPENING ROUND	QUARTERFINALS	SEMIFINALS	FINAL
Wednesday Afternoon 1.00 red	Wednesday Evening 3.54 gold, 1.77 red	Thursday Afternoon 6.20 gold, 3.10 red	Thursday Evening 8.85 gold, 4.43 red
Adams vs Marchand Staneslow vs Barber Call vs Gregory Ohm vs Dilkes Bellam vs Windus Klein vs Sil Walker vs Campbell Zinkgraf vs Dumka	Staneslow vs Gregory Zinkgraf vs Bellam Walker vs Dilkes Marchand vs Klein	Staneslow vs Dilkes	??? vs ???
		Klein vs Zinkgraf The Hideous Hog (In Training)'s Pick: Dilkes over Zinkgraf in the final (semifinal team rosters are below)	

Apple of Your Eye Bracketed Knockout Teams, Bracket Six			
Bracket Six has sixteen teams. Average masterpoints per player in this bracket: 287.			
OPENING ROUND	QUARTERFINALS	SEMIFINALS	FINAL
Wednesday Afternoon 0.86 red	Wednesday Evening 2.28 gold, 2.28 red	Thursday Afternoon 4.00 gold, 3.99 red	Thursday Evening 5.71 gold, 5.70 red
Goshawk vs Lamb Dixon vs Wardstrom Rees vs Iverson Miller vs Clarke Tinkess vs Bryden Thompson vs Perras Gordon vs O'Brien Estephan vs Smith	Estephan vs Bryden Miller vs Dixon Lamb vs Rees Thompson vs O'Brien	Lamb vs Miller	??? vs ???
		Bryden vs O' Brien The Hideous Hog (In Training)'s Pick: O'Brien over Lamb in the final (semifinal team rosters are below)	

"APPLE OF YOUR EYE" KNOCKOUTS

BRACKET THREE SEMIFINALISTS:

Bruce Sherman, La Mesa CA; David Vier - Deborah Vier, Escondido CA; John Boackle Jr, Poway CA
vs
Gerry Marchant - Ruby Premdas, Calgary AB; Priscilla Brown, Vancouver BC; Dolores Hesse, Morinville AB

David De Kezel, Victoria BC; Ken Pearson, Quesnel BC; Henry Lai, Burnaby BC; Andrew Lee, Richmond BC
vs
Charlotte Alekson - Greg Morse, Richmond BC; Tina Gokturk - Walter Brock, Calgary AB

"APPLE OF YOUR EYE" KNOCKOUTS

BRACKET FOUR SEMIFINALISTS:

Rowena Huberman - Gladys Adilman, Vancouver BC; Joyce Wilson - Sheila MacDonald, Saskatoon SK
vs
Valdek Roosna, Tacoma WA; Gary Matsumoto, Spokane WA; Pete Galbraith, Waianae HI; Warren Watson, Trail BC

Jim Mayer, Kaleden BC; Ted Rich - Connie Robertshaw, Penticton BC; Carol Gutsell, Summerland BC
vs
Bob Gellner - Mary Gellner, Chattaroy WA; Bob Probasco - Keri Malone, Spokane WA

"APPLE OF YOUR EYE" KNOCKOUTS

BRACKET FIVE SEMIFINALISTS:

Carol Staneslow - James Porter, Calgary AB; Gert Wiitala, Port Angeles WA; Yuri Wiitala, Bellevue WA
vs
David Dilkes - Geraldine May, Vancouver BC; Peggy Winter, Ladner BC; Beverley Hall, West Vancouver BC

Fred Klein - Ed Porter - Doug Biggs - Trish Biggs, Calgary AB
vs
Rose Zinkgraf - Roma Bucher, Spokane WA; Diane Bear, Yuma AZ; Doreen Jensen, Sardis BC

"APPLE OF YOUR EYE" KNOCKOUTS

BRACKET SIX SEMIFINALISTS:

Pattie Lamb, North Vancouver BC; Marg Gibson, Port Moody BC; Bruno Moras - Margaret Moras, Point Roberts WA
vs
Cathy Miller - Sam Yamanouchi, Burnaby BC; Mhairi Longridge - Adrienne Wurz, Vancouver BC

Kathy Bryden, Regina Beach SK; Karen Morris - Pat Dickson - Margaret Lyell, Saskatoon SK
vs
Robert O'Brien - John Newell - Alayne McFetridge, Penticton BC; Lee Stevens, Vanderhoof BC